

# SPECS

PEAVEY ELECTRONICS

## PVM™ 357

### Drum and Instrument Microphone

#### SPECIFICATIONS

##### MICROPHONE

**Element Type:**

Permanently polarized condenser

**Frequency Response:**

50 - 16 kHz

**Polar Pattern:**

Cardioid

**Sensitivity (with EQ/Output Module):**

-51 dB (0 dB = 1 mW/10 microbars)

**Equivalent Input Noise Level:**

-24 dB SPL at 1 kHz

**Maximum SPL:**

148 dB for 1% THD

**Cable:**

Miniature two conductor shielded

**Connector:**

Switchcraft TA3F

**Dimensions:**

See Figure 5

**Weight:**

0.8 oz. (23 grams)

##### EQ/OUTPUT MODULE

**EQ Characteristic:**

±6 dB in five bands (100, 300, 1 K, 3 K, and 8 kHz)

**EQ Frequency Response:**

See Figures 2 and 3

**Output Impedance:**

Low, balanced (600 ohms)

**Trigger Output:**

10 kilohms, single ended (2 mV per Pascal)

**Current Drain:**

Approximately 3 mA

**Output Connectors:**

Balanced output — 3 pin XLR type  
Trigger output — 1/4" phone

**Dimensions:**

See Figure 6

**Weight:**

7.9 oz. (224 grams)

**Furnished Accessories:**

Drum mounting adapters and hard shell carrying case

#### FEATURES

- Very small, unobtrusive microphone
- Easily adjustable, flexible mounting
- Clean, natural reproduction of even the loudest sounds (to 148 dB SPL)
- Uniform, cardioid polar pattern
- Five-band EQ for unmatched versatility
- Separate trigger output for auxiliary devices
- Readily powered from any 48-52 volt phantom supply
- Drum mounting adapters and hard-shell carrying case supplied

**PEAVEY**®

## DESCRIPTION

The PVM™ 357 is actually an integrated SYSTEM for reproduction of drums and other musical instruments. The system consists of two parts — the tiny microphone and a compact preamp which includes a five-band graphic equalizer.

The PVM 357 microphone is a very small cardioid condenser attached to a miniature flexible arm. This microphone features a broad frequency response — and the ability to cleanly reproduce extremely loud sounds, as high as 148 dB SPL.

The very uniform directional pattern effectively rejects "bleed" from other instruments and monitors, to assure that reproduction remains clean and uncolored.

The compact PVM 357 preamp features an easily adjustable five-band graphic equalizer, which allows the performer to "zero in" on the desired sound — even to make quick changes for different effects.

An EQ bypass switch is included to make it easier to judge the effect — or to switch an effect in and out.

The preamp also features a "Trigger Out" connector for easy connection to a drum synthesizer or other device. This output is on a separate 1/4" jack and isolated from the balanced microphone output.

The PVM 357 system is readily powered by any 48-52 volt phantom supply through a normal balanced microphone cable. The PVM 357 microphone includes a 10' miniature cable with a small, but rugged, connector for interfacing with the preamp/EQ unit.

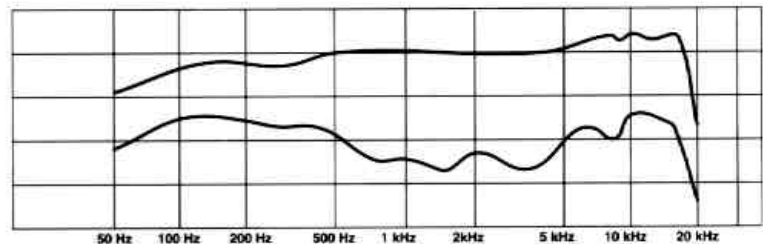
A drum mounting adapter is supplied for mounting the microphone to snares or toms. An adapter is also included for conveniently mounting the preamp/EQ to the bass drum rim, if desired.

The PVM 357 system includes a hard-shell case for convenient carrying or storage.

With its unique combination of features, exceptional versatility and striking performance the PVM 357 may well set the new standard for drum miking — and many other instrumental applications as well.

## Frequency Response

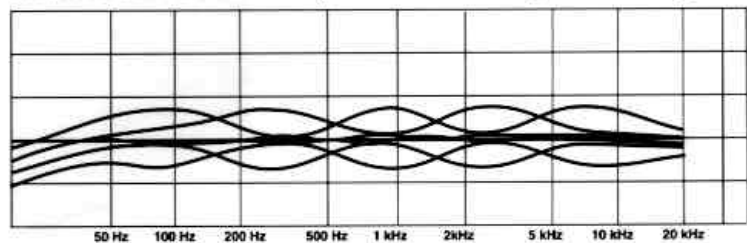
Fig. 1



## EQ Response

Individual Sections (+6 and - 6 dB)

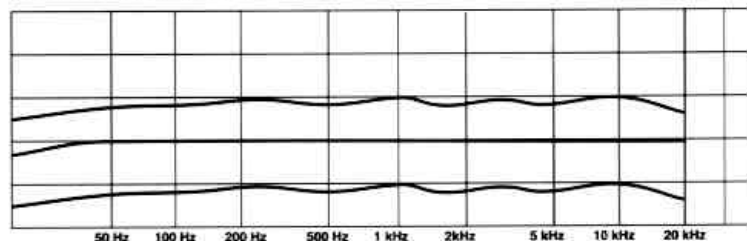
Fig. 2



## Summed Response

(All +6 dB, All -6 dB)

Fig. 3



**PVM 357**  
**HORIZONTAL POLAR PATTERNS**  
 5 dB per division

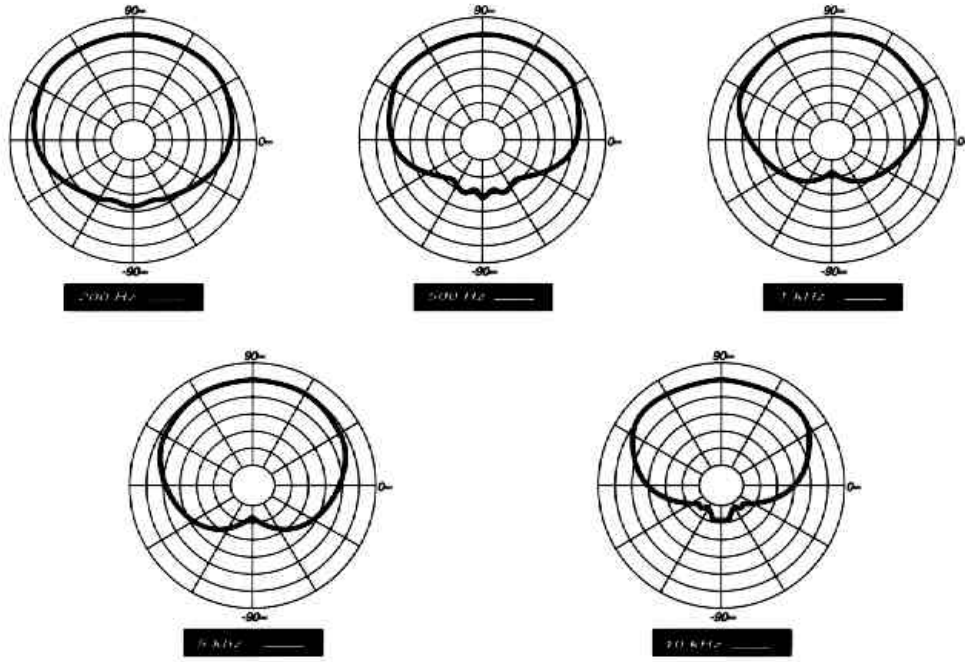


Fig. 5

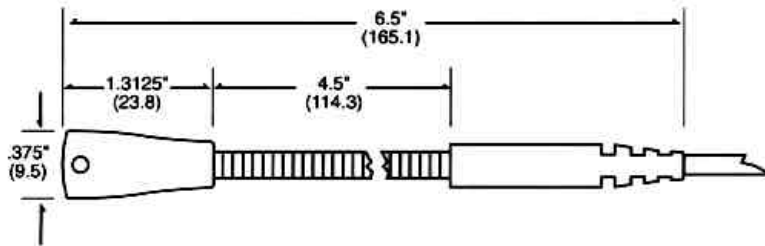
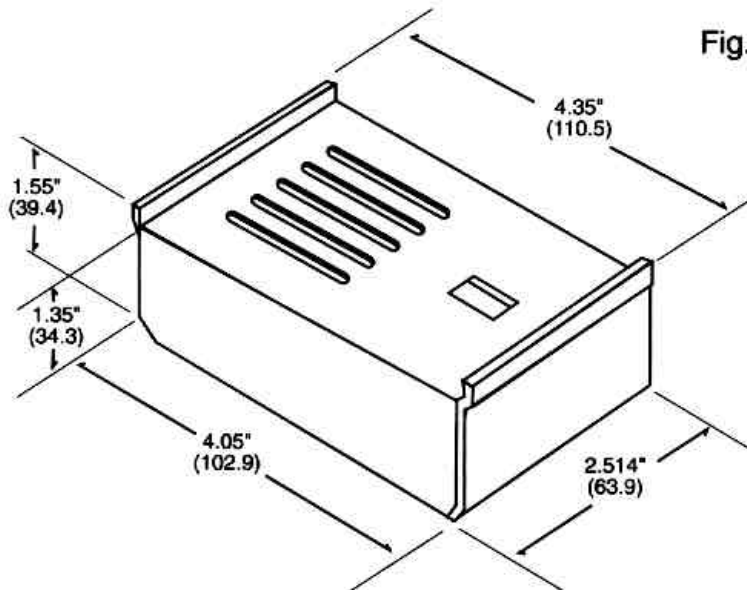
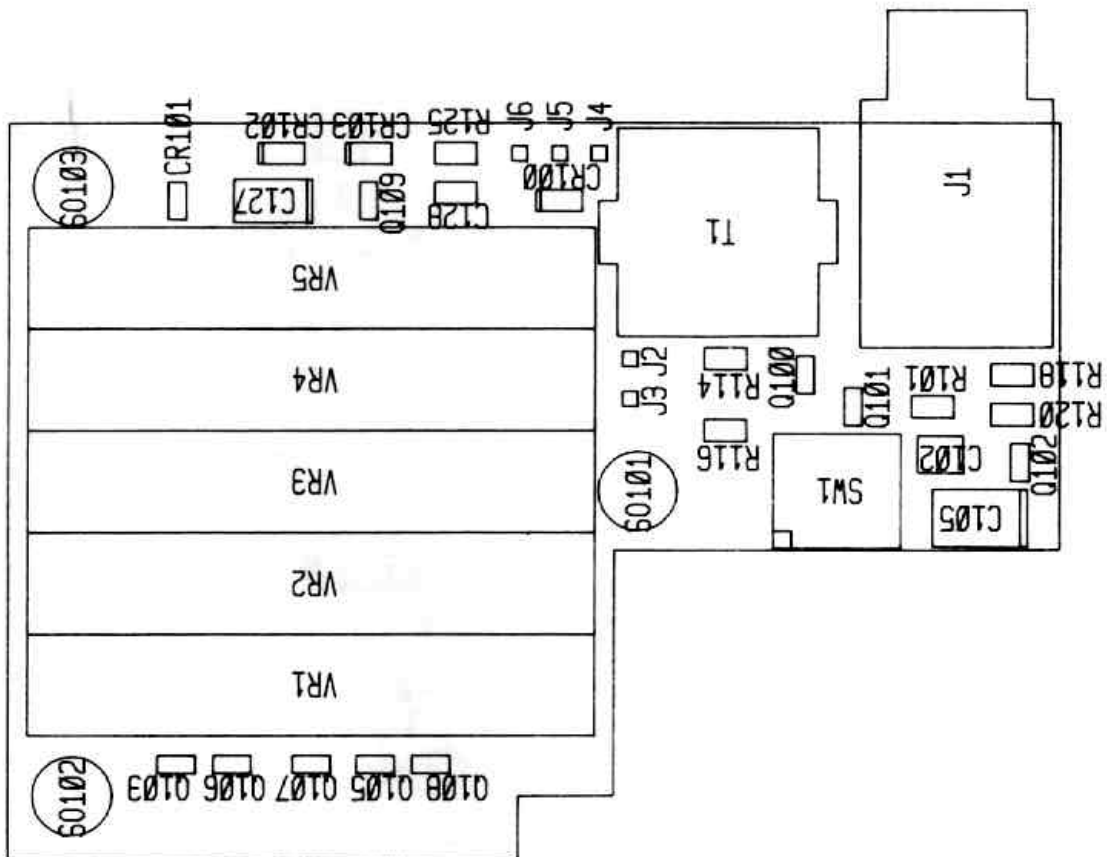
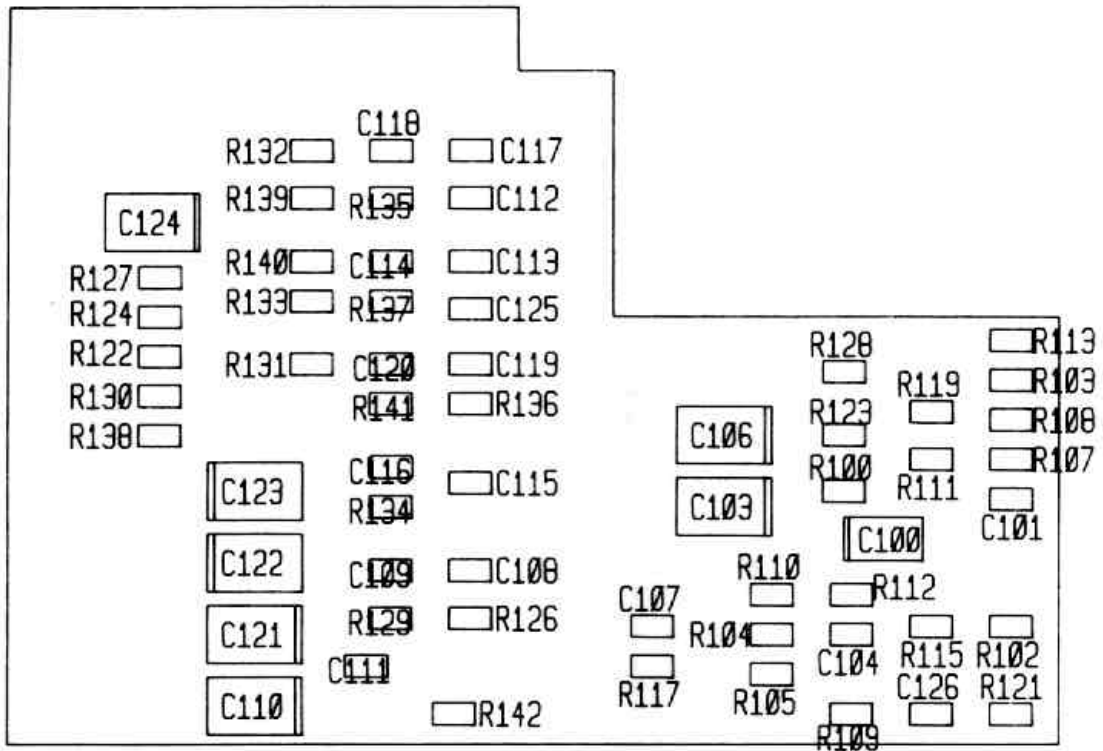
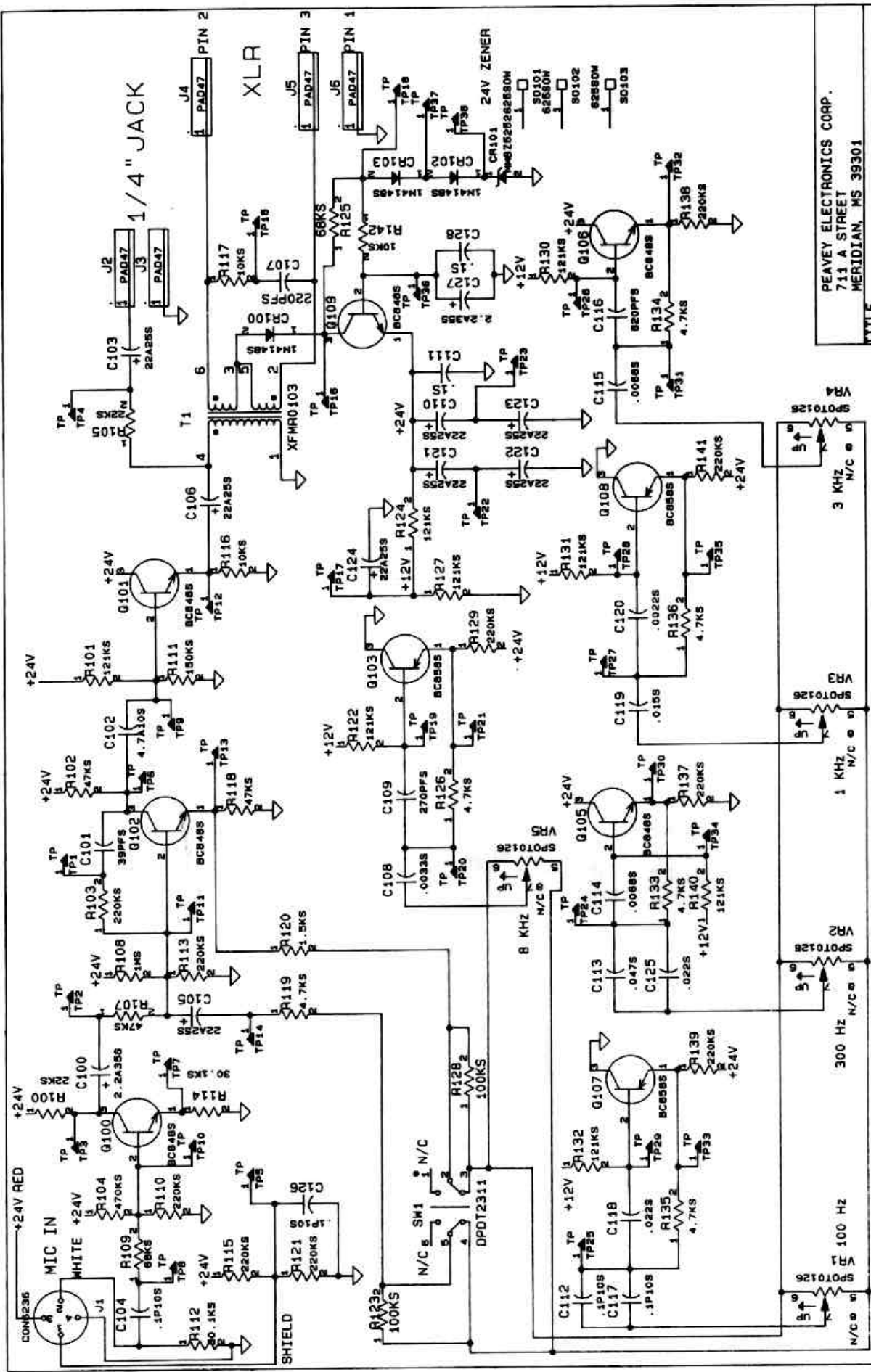


Fig. 6







1/4" JACK

XLR

TITLE	
PEAVEY ELECTRONICS CORP. 711 A STREET MERIDIAN, MS 39301	
SIZE	CODE NUMBER
B	
DATE	9-JUL-93
SHEET 1 OF 1	

## PEAVEY MICROPHONE LIMITED WARRANTY/REMEDY

PEAVEY ELECTRONICS CORPORATION ("Peavey") warrants this microphone to the original retail purchaser to be free from defects in material and workmanship for a period of one (1) year from date of purchase; provided, however, that the existence of this limited warranty is subject to the conditions, exclusions and limitations hereinafter set forth.

In case of a covered defect in material or workmanship, Peavey will repair or replace the microphone at Peavey's option, provided that consumer:

(a) brings the defective microphone to any Peavey Authorized Dealer or Service Center and presents therewith a copy of the sales receipt or other proof of purchase. If the DEALER or SERVICE CENTER is unable to provide the necessary warranty service, the consumer will be directed to the nearest other PEAVEY AUTHORIZED DEALER or SERVICE CENTER which can provide such service; or

(b) returns the defective microphone, shipping charges prepaid, to Peavey Electronics Corporation, 711 A Street, Meridian, Mississippi, and includes therewith a written description of the problem, a copy of the sales receipt or other proof of purchase and consumer's complete return address.

If the defect is remedial under this limited warranty and the other terms and conditions expressed herein have been complied with, Peavey will provide the necessary warranty service to repair or replace the microphone and will return it, freight collect, to the consumer.

Under no circumstances will Peavey be liable for any lost profits, lost savings, or other consequential or incidental damages arising out of the use or inability to use the product, even if Peavey had been advised of the possibility of such damage.

THIS LIMITED WARRANTY IS IN LIEU OF ANY AND ALL WARRANTIES, EXPRESSED OR IMPLIED, INCLUDING, BUT NOT LIMITED TO, THE IMPLIED WARRANTIES OF MERCHANTABILITY AND FITNESS FOR PARTICULAR USE; provided, however, that upon compliance with the other terms and conditions necessary to the existence of the express limited warranty, such implied warranties are not disclaimed during the applicable one-year period from date of purchase of this product.

SOME STATES DO NOT ALLOW LIMITATIONS ON HOW LONG AN IMPLIED WARRANTY LASTS OR THE EXCLUSION OR LIMITATION OF INCIDENTAL OR CONSEQUENTIAL DAMAGES, SO THE ABOVE LIMITATIONS OR EXCLUSIONS MAY NOT APPLY TO YOU. THIS LIMITED WARRANTY GIVES YOU SPECIFIC LEGAL RIGHTS, AND YOU MAY ALSO HAVE OTHER RIGHTS WHICH MAY VARY FROM STATE TO STATE.

In the event any modification or disclaimer of express or implied warranties or any limitation of remedies contained herein conflicts with applicable law, then such modification, disclaimer or limitation, as the case may be, shall be deemed to be modified to the extent necessary to comply with such law.

Peavey Electronics Corporation gives this limited warranty only with respect to Peavey microphones purchased in the United States of America. This limited warranty shall be void and of no effect if:

- (a) first purchase of the product is for the purpose of resale; or
- (b) the original retail purchase is not made from an AUTHORIZED PEAVEY DEALER; or
- (c) the product has been damaged by accident or unreasonable use, neglect, improper service or maintenance, or other causes not arising out of defects in material or workmanship.

The logo for Peavey, featuring the word "PEAVEY" in a bold, italicized, sans-serif font with a registered trademark symbol.

Features and specifications subject to change without notice.